



VB400 BUYER'S GUIDE - BODY-WORN CAMERAS FOR AMBULANCE WORKERS



THE VB400 IS THE NEXT GENERATION OF BODY-WORN CAMERA TECHNOLOGY FOR AMBULANCE WORKERS AND FIRST RESPONDERS.

With rugged build quality, high performance and multiple ways to connect, the VB400 delivers the features you need to take control of every situation.

This Buyer's Guide will lead you through the specifications of the VB400 body-worn camera and its associated accessories, helping you understand how this market-leading technology can be used to suit your needs and requirements.

CONTENTS

- 3** [VB400 CAMERA OPTIONS](#) ▶
- 5** [VB400 CAMERA ACCESSORIES](#) ▶
- 10** [VB400 DOCKING SOLUTIONS](#) ▶
- 14** [EVIDENCE MANAGEMENT SOLUTIONS](#) ▶

VB400

The VB400 Body-worn Camera is designed for 21st century public safety and security.



GENERAL INFORMATION

	The VB400 is suited to applications where shift-long battery life and high-quality video evidence capture is required.
Typical Usage	The VB400 represents the next generation of body-worn camera technology. Rugged build quality. High performance. Multiple ways to connect. Delivering the features you need to take control of every situation.
Management Software	VideoManager 12.1 or later. Requires VideoManager Licence or Cloud Service.

SIZE AND WEIGHT

Dimensions	68mm x 89mm x 25mm
Weight	160g, plus mounting

BATTERY

Battery	Integral, not user serviceable.
Battery Type	Lithium-Polymer
Battery Recharging Times	Typically recharges in less than 8 hours.
Capacity	Up to 12-hrs when used with optimum camera settings*.

AUDIO

Audio Capture	Dual Microphone.
---------------	------------------

CAMERA

Switches	Five software-configurable switches (top switch, two small front switches and large central switch) and a slide switch (side mounted).
Lens Capture Angle	120° horizontal, 65° vertical, 140° diagonal
Day / Night Operation	Supports low light conditions to 0.2 lux.
Notification:	Configurable LEDs, audible and vibration alerts and notifications.

CAMERA FEATURES

Peer-assisted Recording	Device recording can commence securely when within 10m of another device that is already recording.
Holster Sensor Option	Detect the presence of a firearm, and notify the VB400 when it's unholstered.
Pre / Post-Record Facility	Full-shift pre / post-record, with up to 2 minute pre / post-recording buffer.
RFID Assignment	Use RFID to allocate cameras to users.
Bookmark Footage	Instantly mark important video footage by pressing a configured switch or button.
Recording Status User Notification	Vibration, visual and audible notification.
GPS	Integral GPS receiver. Mark video streams and recordings with location, and provide location data to management software.
Bluetooth®	BT 2.1 + EDR, BLE 4.2

*Features such as Wi-Fi impact battery life.

VIDEO AND RECORDING

Video Recording Format	H.264 format with H.265 in future release.
Resolution	1920x1080p, 1280x720p and 640x360p
Frame Rate	25 or 30 frames per second.
Recording Storage Capacity	64GB

APPROVALS AND ENVIRONMENTAL

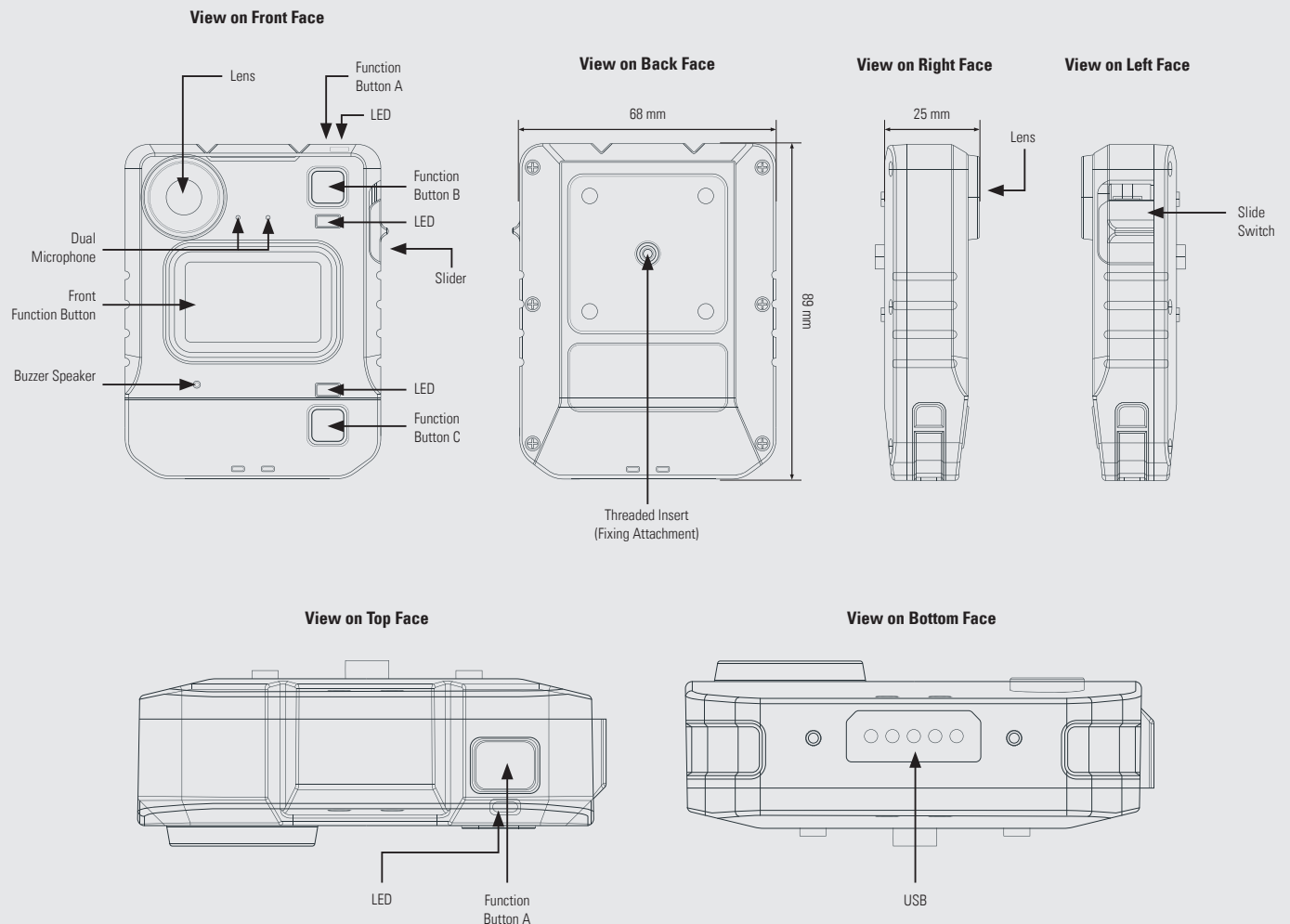
Ingress Protection	IP67
Environmental Temperature	Operating: -20°C to +50°C
Operational Rating	Charging: 0°C to +25°C
Drop Tested	Tested to MIL STD 810G.

Wi-Fi FEATURES

Wi-Fi Specifications	802.11 a/b/g/n (2.4GHz & 5GHz)
Wi-Fi Security	WPA2-PSK
Wi-Fi Streaming	640x360 25 or 30 fps

SECURITY

Network Data Security on USB Storage Media	VB400 does not appear as a USB storage device, and cannot receive files whilst connected to a Wi-Fi network.
Digital Evidence Integrity Chain	Full audit trail with generated check-sums and watermarked evidential outputs.
Audit Trail	Usage, operations and recording details all audit-logged and indexed.
Video Downloading Protected by Encryption	AES 256, encrypted keys specific to base station.
Recordings View, Copy and Deletion Ability	The VB400 wearer cannot access, view or delete any recordings directly from the device, or VideoManager without appropriate authorisation.
Storage Media Access	Sealed unit with no user access to storage media.





VB400

ACCESSORIES

VB440-64-QR-N & ACCESSORIES

VB400 (VB440-64-QR-N) - SUITABLE FOR ATTACHING TO THE QUICK RELEASE FIXING OPTIONS



Features include:

Wi-Fi streaming, Built-in GPS functionality, Bluetooth® sensor monitoring, Ruggedised exterior, 64GB storage, Slimline battery (up to 12hrs recording time), 1 year return-to-base warranty.

PLEASE NOTE: Requires VideoManager Enterprise Licence or VideoManager Cloud Service. Please speak to your account manager for further details.

PART NUMBER: VB440-64-QR-N



CHARGERS, DOCKCONTROLLERS, RFIDS & CUSTOM DISPLAY STICKERS

VB400-DOCK-SOLO	VB400 1-Port Dock
VB400-DOCK-14/UK, VB400-DOCK-14/EU, VB400-DOCK-14/US, VB400-DOCK-14/AUS, VB400-DOCK-14/ROW	VB400 14-Port Dock
DC-200/UK, DC-200/EU, DC-200/US, DC-200/AUS, DC-200/ROW	DockController DC-200
RF-220	RFID RF-220
RF-STICKER-10	RFID Sticker-Style Tag
RF-CARD-10	RFID-Card
VB400-ID-CUS-ART	Custom VB400 Front-button Sticker (Design)
VB400-ID-CUS-100, VB400-ID-CUS-250, VB400-ID-CUS-1000, VB400-ID-CUS-5000	Custom VB400 Front-button Sticker (Print) Can be ordered in the following amounts: 100, 250, 1000, 5000



QUICK RELEASE FIXINGS

VB400-QR-KFSTUD	Klick Fast Quick Release Stud
VB400-QR-KFTILT	Klick Fast Quick Release Tilt Mount
VB400-QR-KFTILT2	Klick Fast Quick Release Wide Tilt Mount
VB400-QR-SPORT	Quick Release Sports Camera Pillar



KLICK FAST HARNESES

Klick Fast Harnesses are compatible with the **VB440-64-QR-N** when used in conjunction with Klick Fast Quick Release Fixings. Also available for the **VB440-64-KF-N** camera.

KF-HARN3	Klick Fast 3-Point Chest Harness
KF-HARN4	Klick Fast 4-Point Chest Harness
KF-HARN5	Klick Fast Shoulder Harness

VB440-64-KF-N & ACCESSORIES

VB400 (VB440-64-QR-N) - SUITABLE FOR DIRECTLY ATTACHING TO THE KLICK FAST FIXING OPTIONS



Features include:

Wi-Fi streaming, Built-in GPS functionality, Bluetooth® sensor monitoring, Ruggedised exterior, 64GB storage, Slimline battery (up to 12hrs recording time), 1 year return-to-base warranty.

PLEASE NOTE: Requires VideoManager Enterprise Licence or VideoManager Cloud Service. Please speak to your account manager for further details.

PART NUMBER: VB440-64-KF-N



VB400-ID-CUS-100 etc.

CHARGERS, DOCKCONTROLLERS, RFIDS & CUSTOM DISPLAY STICKERS

Keep your cameras functioning at all times with these essentials.

VB400-DOCK-SOLO

VB400 1-Port Dock

VB400-DOCK-14/UK, VB400-DOCK-14/EU, VB400-DOCK-14/US, VB400-DOCK-14/AUS, VB400-DOCK-14/ROW

VB400 14-Port Dock

DC-200/UK, DC-200/EU, DC-200/US, DC-200/AUS, DC-200/ROW

DockController DC-200

RF-220

RFID RF-220

RF-STICKER-10

RFID Sticker-Style Tag (x10)

RF-CARD-10

RFID-Card (x10)

VB400-ID-CUS-ART

Custom VB400 Front-button Sticker (Design)

VB400-ID-CUS-250, VB400-ID-CUS-1000, VB400-ID-CUS-5000

Custom VB400 Front-button Sticker (Print)

Can be ordered in the following amounts: 250, 1000, 5000



KLICK FAST HARNESES

KF-HARN3

Klick Fast 3-Point Chest Harness

KF-HARN4

Klick Fast 4-Point Chest Harness

KF-HARN5

Klick Fast Shoulder Harness



KLICK FAST FIXINGS

Also available for the **VB440-64-QR-N** when used in conjunction with Klick Fast Quick Release Fixings.

KF-SCREW

Klick Fast Uniform Screw-on Dock

KF-LOOP

Klick Fast Radio Loop Dock

KF-DOCKCLAMP

Klick Fast Dock Clamp (Pocket Klick Fast Dock)

KF-DOCKEP

Klick Fast Dock Epaulette

KF-MAGMOUNT

Klick Fast Magnetic Mounting Set (Supplied w/o Magnets)

KF-MOLLEVEST

Klick Fast Dock for MOLLE Vests

VB440-64-VF-N & ACCESSORIES

VB400 (VB440-64-QR-N) - SUITABLE FOR ATTACHING TO THE CLOSE FIT MOUNT OPTIONS



Features include:

Wi-Fi streaming, Built-in GPS functionality, Bluetooth® sensor monitoring, Ruggedised exterior, 64GB storage, Slimline battery (up to 12hrs recording time), 1 year return-to-base warranty.

PLEASE NOTE: Requires VideoManager Enterprise Licence or VideoManager Cloud Service. Please speak to your account manager for further details.

PART NUMBER: VB440-64-VF-N



CHARGERS, DOCKCONTROLLERS, RFIDS & CUSTOM DISPLAY STICKERS

Keep your cameras functioning at all times with these essentials.

VB400-DOCK-SOLO	VB400 1-Port Dock
VB400-DOCK-14/UK, VB400-DOCK-14/EU, VB400-DOCK-14/US, VB400-DOCK-14/AUS, VB400-DOCK-14/ROW	VB400 14-Port Dock
DC-200/UK, DC-200/EU, DC-200/US, DC-200/AUS, DC-200/ROW	DockController DC-200
RF-220	RFID RF-220
RF-STICKER-10	RFID Sticker-Style Tag (x10)
RF-CARD-10	RFID-Card (x10)
VB400-ID-CUS-ART	Custom VB400 Front-button Sticker (Design)
VB400-ID-CUS-250, VB400-ID-CUS-1000, VB400-ID-CUS-5000	Custom VB400 Front-button Sticker (Print) Can be ordered in the following amounts: 250, 1000, 5000



CLOSE-FIT MOUNTS

VB400-VF-MAG	Close-Fit Magnetic Mount
VB400-VF-MOL2	Close-Fit Double MOLLE Mount

VB440-64-ALIG-N & ACCESSORIES

VB400 (VB440-64-QR-N) - COMES WITH A FACTORY FITTED ALLIGATOR CLIP



Features include:

Wi-Fi streaming, Built-in GPS functionality, Bluetooth® sensor monitoring, Ruggedised exterior, 64GB storage, Slimline battery (up to 12hrs recording time), 1 year return-to-base warranty.

PLEASE NOTE: Requires VideoManager Enterprise Licence or VideoManager Cloud Service. Please speak to your account manager for further details.

PART NUMBER: VB440-64-ALIG-N



CHARGERS, DOCKCONTROLLERS, RFIDS & CUSTOM DISPLAY STICKERS

Keep your cameras functioning at all times with these essentials.

VB400-DOCK-SOLO	VB400 1-Port Dock
VB400-DOCK-14/UK, VB400-DOCK-14/EU, VB400-DOCK-14/US, VB400-DOCK-14/AUS, VB400-DOCK-14/ROW	VB400 14-Port Dock
DC-200/UK, DC-200/EU, DC-200/US, DC-200/AUS, DC-200/ROW	DockController DC-200
RF-220	RFID RF-220
RF-STICKER-10	RFID Sticker-Style Tag (x10)
RF-CARD-10	RFID-Card (x10)
VB400-ID-CUS-ART	Custom VB400 Front-button Sticker (Design)
VB400-ID-CUS-250, VB-400-ID-CUS-1000, VB-400-ID-CUS-5000	Custom VB400 Front-button Sticker (Print) Can be ordered in the following amounts: 250, 1000, 5000

DOCKING SOLUTIONS

VB400 14-PORT DOCK

Host multiple VB400 cameras for simultaneous rapid charging, configuration and video downloading.



GENERAL INFORMATION

Product Code VB400-DOCK-14/UK, VB400-DOCK-14/EU, VB400-DOCK-14/US, VB400-DOCK-14/AUS, VB400-DOCK-14/ROW

Hosts Multiple VB400 cameras 14 VB400 camera ports

Scalability Multiple docking stations can be connected to a DockController.

Compatibility Compatible with DockController DC-200

Easy To Deploy Connection is a single USB to the DockController, and a mains adaptor for power. USB cable supplied.

Eliminates need for separate wiring to each camera

Speedy Plug-in/Pull-out Connectivity VB400 cameras can be easily docked or undocked for speedy use

Flexible Docking Flexible for use with camera accessories attached. Can be securely fastened to a shelf or other mounting surface - can be secured at an angle.

Warranty 1 year return-to-manufacturer warranty including email and telephone support.

Extended warranty available.

SIZE AND WEIGHT

Dimensions 200mm x 38mm x 436mm

Weight 2.2kg (3.5kg boxed)

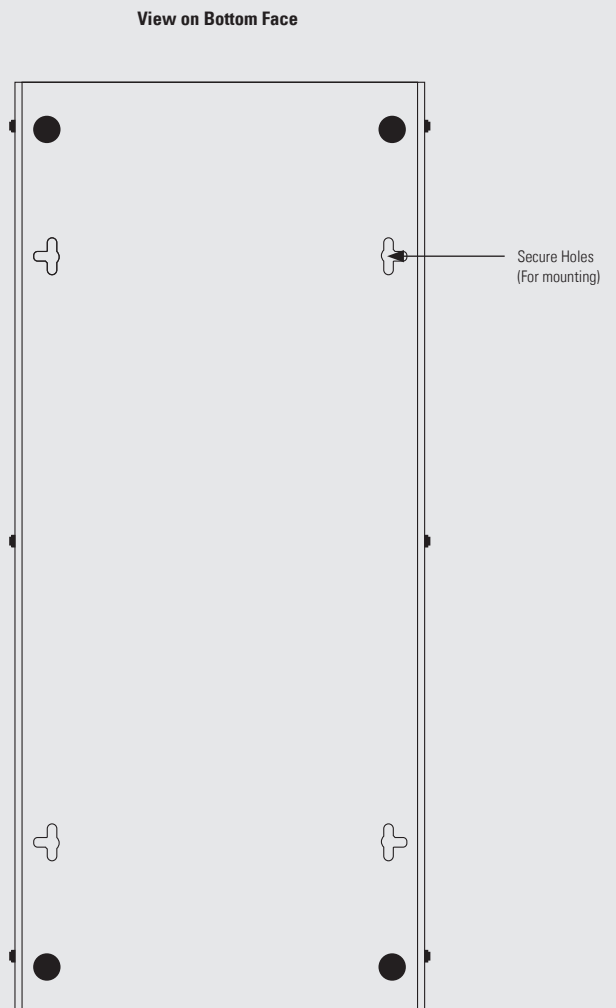
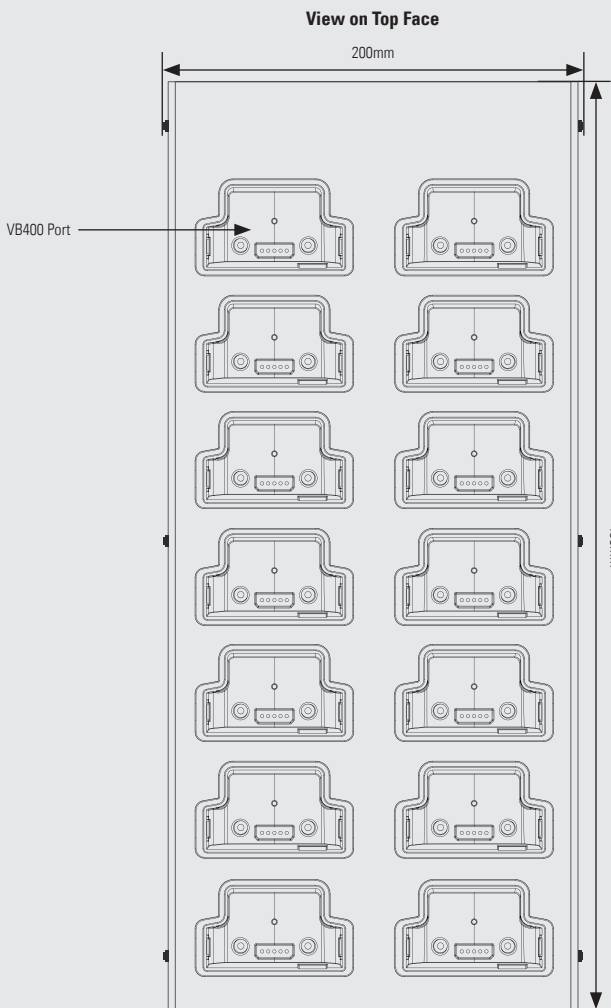
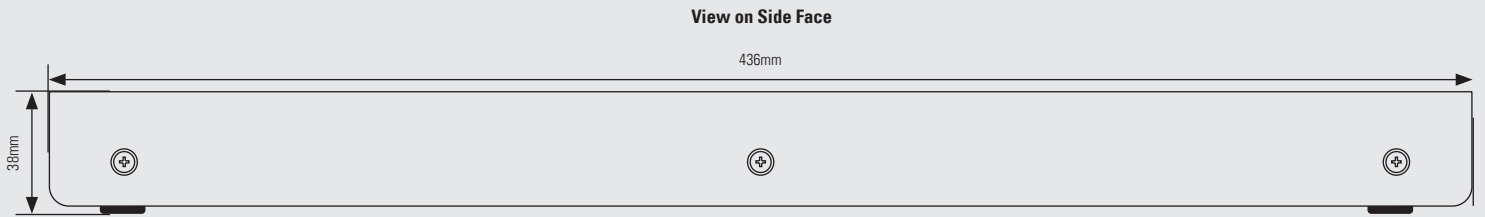
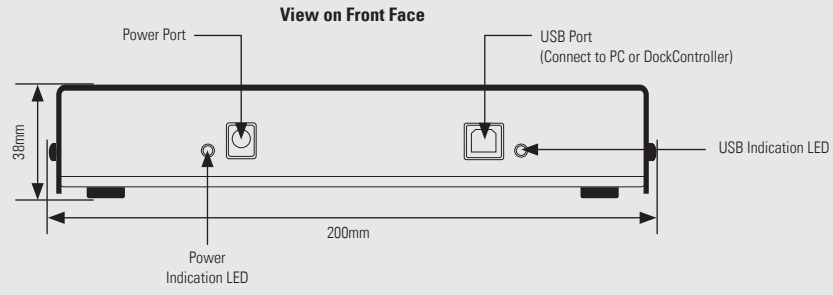
CHARGING, POWER & INTERFACE

Charging Up to 8hrs from a fully flat battery.

Power Requirement 12V/5A PSU, input 100-240V (PSU supplied).

Interface USB 2.0 compatible

USB 3.0 compatible





VB400 1-PORT DOCK

A compact, lightweight dock perfect for remote workers with a small number of VB400 cameras spread across multiple sites.

GENERAL INFORMATION

Product Code	VB400-DOCK-SOLO
Compact and Unobtrusive	The VB400 1-Port Dock can fit on a desk without displacing other items - it can also be carried in a bag or briefcase.
Scalability	Up to four 1-Port Docks can be connected to a DockController.
Compatibility	Compatible with DockController DC-200 or PC running VideoManager.
Easy To Deploy	Connection is a single USB to the PC. (Cable supplied)
Speedy Plug-in/Pull-out Connectivity	The VB400 can be easily docked or undocked for speedy use.
Warranty	1 year return-to-manufacturer warranty including email and telephone support. Extended warranty available.

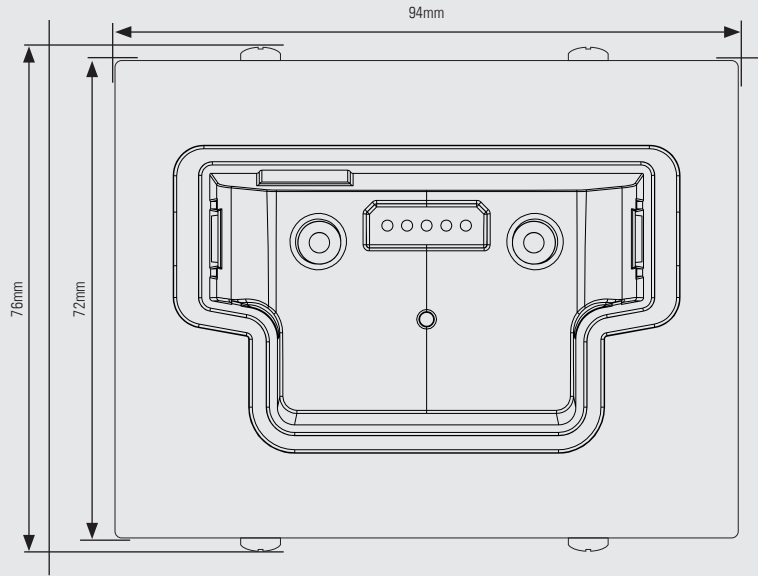
SIZE AND WEIGHT

Dimensions	90mm x 75mm x 40mm
Weight	244g

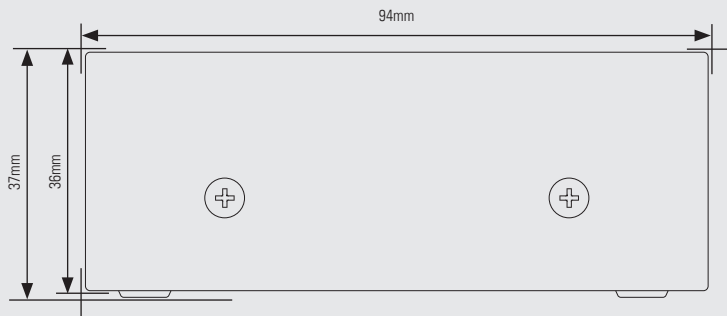
CHARGING AND POWER

Charging	Up to 8hrs from a fully flat battery.
Power Requirement	5V USB

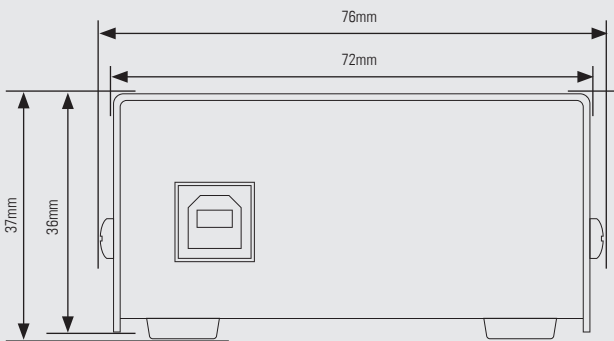
View on Top Face



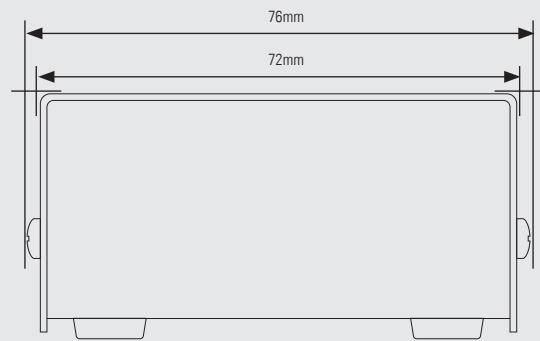
View on Front Face



View on Left Face



View on Right Face



EVIDENCE MANAGEMENT SOLUTIONS

ADVANCED MEDIA, DEVICE AND USER MANAGEMENT SOFTWARE

NEW FEATURES

Automatic Incident Creation	VideoManager collates videos and metadata into incidents automatically, based on how those videos have been categorised with custom fields (e.g. dropdown menus and checkboxes).
Automatic EdgeController and DockController Firmware Upgrades	Ensure your suite of EdgeControllers and DockControllers always have the latest firmware, eliminating manual upgrades. Configure a specific timeframe for DockController firmware upgrades, to minimise workflow disruption.
System Configuration Export and Import	Export your unique VideoManager configuration - including deletion policies, device and WiFi profiles, and roles - to one XML file. Import the same configuration into another instance of VideoManager, to ensure consistency across your organisation.
Anti-virus Integration with OPSWAT*	An added layer of protection for your organisation: use alongside your Asset Import capability to scan imported media for viruses.
Playback Watermark	Superimpose a unique signature over videos during playback, to discourage illicit screen-recordings.

CONNECTIVITY

VMS Integration	Integrates with Avigilon Control Center, Milestone XProtect and Genetec Security Center.
Site / Centre Capabilities	Can be enabled as a Central VideoManager, to which other instances of VideoManager ("sites") can be connected.
Live Streaming to a Cloud Service	VB and VT series body-worn cameras can stream directly to a cloud service of VideoManager while downloading footage to an on-premises instance of VideoManager.
CommandCentral Vault Integration	Connect VideoManager to CommandCentral Vault, for footage storage and correlation with other CommandCentral Suite applications. Requires "CommandCentral Vault" subscription.
VB Companion App*	View and categorise footage from your smartphone within the field, then upload it to VideoManager for review.

WORKFLOW CONTROL

Granular Permissions	Users can only access the parts of the VideoManager interface which are relevant to their workflow.
Granular Sharing	Incidents and videos can be automatically or manually shared between users and groups on VideoManager. Incidents can be shared with workers who are not on VideoManager, using time-sensitive links or exports.
Permissions Overview	Administrators can see the permissions associated with a user, and how they got those permissions.
Privilege Escalation	Authorised users can temporarily elevate their privileges for a limited time, in order to perform certain actions on VideoManager.
Deletion Policies	Configure how long footage is kept on VideoManager before it is deleted.
Self-service Automatic Account Creation*	Users can create their own account with a URL and an email address; administrators can dictate with which roles these users are associated.

SCALABILITY

Incident Bulk Edit	Large numbers of incidents can be instantaneously deleted and added to incident collections.
Device Bulk Edit	Large numbers of devices can be instantaneously assigned and upgraded.
User Groups	Put multiple users in a group for sharing and management purposes. Groups can be supervised by individual users, or other groups.
Reports Creation	Download reports detailing various aspects of VideoManager activity e.g. when devices were docked and undocked.
Live Statistics	View real-time statistics with information about how VideoManager is being used.

MEDIA IMPORTS

Imports*	Non-body-worn camera media (PDFs, videos and still images) can be imported into VideoManager and added to incidents.
Supported File Formats and Extensions	<ul style="list-style-type: none"> • MP4/MOV - .mp4 .mov .m4a .m4v • JPEG - .jpg .jpeg • MP3 - .mp3 • AVI - .avi .av • MPEG-PS - .mpg .mpeg .vob • MPEG-TS - .mts .ts • PNG - .png • WMA (ASF) .wma • WAV - .wav

EVIDENCE PREPARATION

Incident Creation	Group footage and other important media in an incident for ease of review.
Incident Collections*	Put multiple incidents in an incident collection for sharing and management purposes.
Video and Media Redaction	Redact footage and images using effects like blurring, pixelation, and highlighting. Audio, text, and zoom redactions are also available.
Imports	Non-video media (PDFs, MP4s, JPGs), and videos which were not recorded on VB / VT series body-worn cameras can be imported to VideoManager and added to incidents.

SECURITY

Comprehensive Audit Trail	A comprehensive audit log of every action performed in the system is created. Users can create and download audit logs to view these actions if necessary.
Access Control Keys	Without a device's access control key, undownloaded footage on a device is inaccessible.
File Space Encryption	Footage, report and export files are automatically encrypted for extra security.

TECHNICAL SPECIFICATIONS

Compatible Server Platforms	<ul style="list-style-type: none"> • Windows 8.1 Pro & Enterprise 64-bit • Windows 10 Pro & Enterprise 64-bit • Windows Server 2012 Essentials, Standard & Datacenter • Windows Server 2012 R2 Essentials, Standard & Datacenter • Windows Server 2016 Essentials, Standard & Datacenter ** • Windows Server 2019 Essentials, Standard & Datacenter **
Compatible Client Browsers	<ul style="list-style-type: none"> • Microsoft Internet Explorer 11 (Windows 7/8.1/10) • Microsoft Edge 14+ (Windows 10) • Firefox 47+ (Windows 7/8.1/10) • Chrome 48+ (Windows 7/8.1/10, MAC OS X v10.10)



For more information, please visit: www.motorolasolutions.com/BWC/Ambulance

Motorola Solutions Ltd. Nova South, 160 Victoria Street, London, SW1E 5LB, United Kingdom

Availability is subject to individual country law and regulations. All specifications shown are typical unless otherwise stated and are subject to change without notice.

MOTOROLA, MOTO, MOTOROLA SOLUTIONS and the Stylized M Logo are trademarks or registered trademarks of Motorola Trademark Holdings, LLC and are used under license. All other trademarks are the property of their respective owners. © 2021 Motorola Solutions, Inc. All rights reserved. (10-21)

