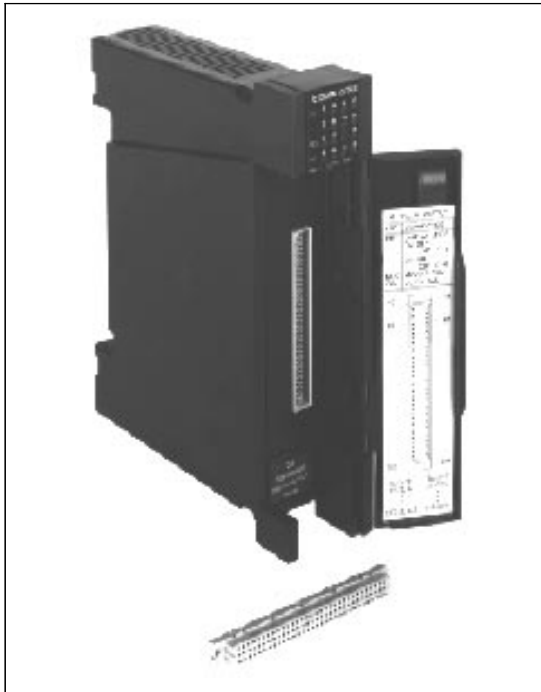


# 32DO Digital Output Module

for the MOSCAD RTU

## FEATURES

*The 32 Digital Output module is an accessory to the MOSCAD RTU family that provides 32 electronic closure (open FET) outputs; the closures may directly connect into other small-signal electronic equipment, or may control interpose relays that connect to, and control, other on-site devices. Examples include radio transceivers, trunked site controllers, and motor controllers.*



### Data Output

Under the control of the defined Application Program, the CPU module will move the current status of data variables that are associated with the open outputs into the 32DO module via the motherboard. The 32DO module then “opens” or “closes” the outputs according to the status of this data.

▲ *On-site electrical devices may be controlled by the MOSCAD application.*

### Wire Connections

Connections to the output circuits may be made directly to the module by soldering small gauge wire directly to a mating connector, appropriate when the devices being control are very proximate because the available voltage surge immunity is minimal. Or, relay termination panel(s) may be connected to the module. These panels provide space for eight 10 amp plug-in interpose relays; the field wiring connects to screw terminals on the termination panels.

▲ *The module may be used in a variety of systems to control proximate or more distant devices. One 32DO module may control 32 momentary or 16 set-reset interpose relays.*

### Activation Feedback

The module provides feedback to the CPU that the output circuit has indeed closed.

▲ *This feedback may be treated as digital inputs and incorporated into the Application.*

### Packaging

The module is packaged in a plastic housing that plugs and locks into the motherboard. The termination panel(s) may be mounted on any available flat panel; they require installation in the RackMount configuration. No jumpers, calibration pots, etc. are located on the module (any calibration is done electronically via software from the Tool-Box program.)

▲ *Modularity allows the MOSCAD RTU to be easily expanded as system wants and needs change and makes field module replacement quick and easy.*

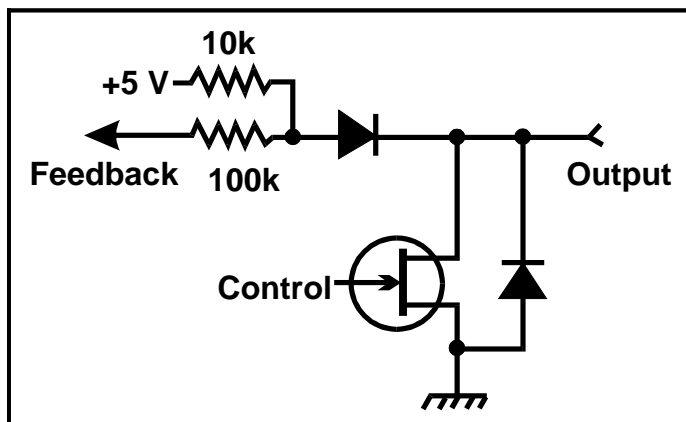


**MOTOROLA**

## Specifications

<b>Order</b>	Plant installed: V314 Field installed: FLN2029
<b>Outputs</b>	32 "open FET" rated at 0.5 amp @ 32 Vdc
<b>Output Protection</b>	1 kV between contacts, 1.5 kV between contact & coil per ANSI C37.90.1-1989 (requires termination panel)
<b>Readback</b>	Diode-isolated readback per output for positive confirmation of command execution
<b>Diagnostic</b>	20 LEDs: 16 for inputs in 2 groups, 2 for input groups 1 or 2, 1 each for Module Fail and No Clock
<b>Power</b>	5 Vdc: 15 ma 12 Vdc: 10 ma (50 ma with LEDs on)
<b>Environment</b>	Humidity: 0 to 90% @ +50°C Temperature: -30 to +60°C

### Typical Module Output Circuit



### Connections Chart

Function	Terminals	Function	Terminals
Out 1	1C(+), 1A(-)	Out 17	17C(+), 17A(-)
Out 2	2C(+), 2A(-)	Out 18	18C(+), 18A(-)
Out 3	3C(+), 3A(-)	Out 19	19C(+), 19A(-)
Out 4	4C(+), 4A(-)	Out 20	20C(+), 20A(-)
Out 5	5C(+), 5A(-)	Out 21	21C(+), 21A(-)
Out 6	6C(+), 6A(-)	Out 22	22C(+), 22A(-)
Out 7	7C(+), 7A(-)	Out 23	23C(+), 23A(-)
Out 8	8C(+), 8A(-)	Out 24	24C(+), 24A(-)
Out 9	9C(+), 9A(-)	Out 25	25C(+), 25A(-)
Out 10	10C(+), 10A(-)	Out 26	26C(+), 26A(-)
Out 11	11C(+), 11A(-)	Out 27	27C(+), 27A(-)
Out 12	12C(+), 12A(-)	Out 28	28C(+), 28A(-)
Out 13	13C(+), 13A(-)	Out 29	29C(+), 29A(-)
Out 14	14C(+), 14A(-)	Out 30	30C(+), 30A(-)
Out 15	15C(+), 15A(-)	Out 31	31C(+), 31A(-)
Out 16	16C(+), 16A(-)	Out 32	32C(+), 32A(-)



#### Support Services

Wherever Motorola sells, our product is backed by service. Our products are serviced throughout the world by a wide network of company or authorized independent distributor service organizations. Specifications subject to change without notice.



Winner 1988



**MOTOROLA**

1301 E. Algonquin Road  
Schaumburg, Illinois 60196  
In the U.S. call: 1-800-247-2346  
Outside the U.S. call: (708) 576-3107

® and Motorola are trademarks of Motorola, Inc. © 1994  
Motorola, Inc. Printed in U.S.A. Produced  
by Customer Communications. 36 USC 380  
Motorola is an Equal Employment Opportunity/  
Affirmative Action Employer